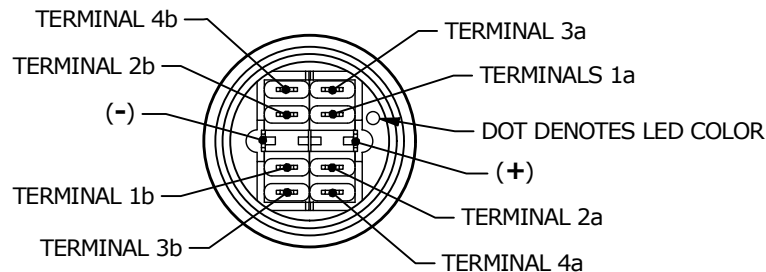
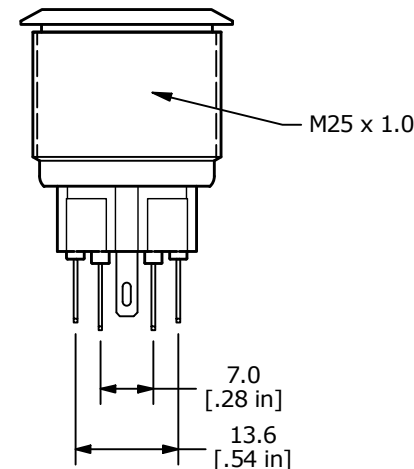
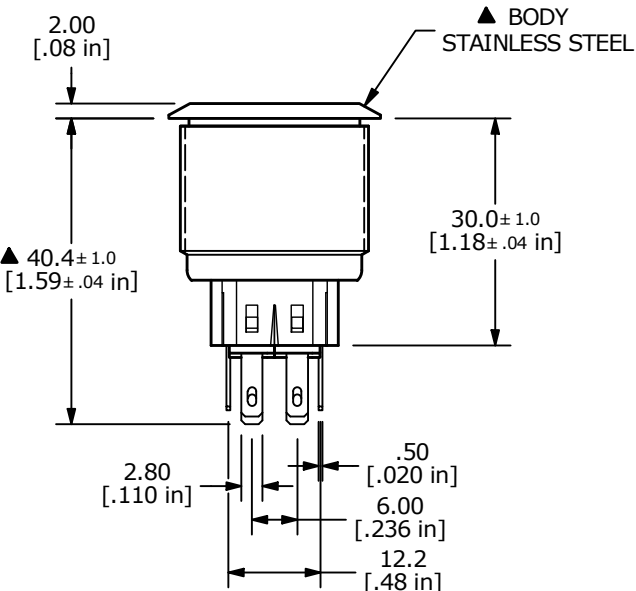
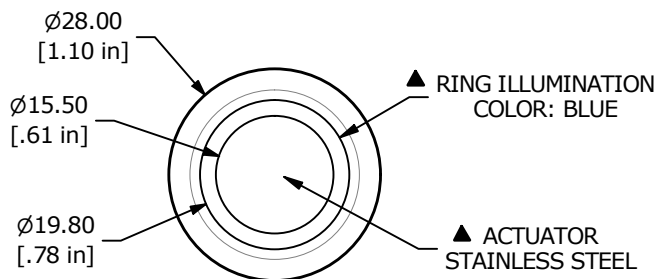
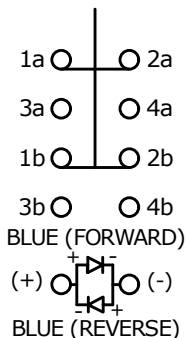


RECOMMENDED PANEL CUTOUT  
MAX. PANEL THICKNESS 12mm



▲ SWITCH FUNCTION

POS. 1	POS. 2
1a-2a 1b-2b	3a-4a 3b-4b



▲ CONTACT CONFIGURATION  
DPDT ON-OFF / OFF-ON

NOTE:

- ALL DIMENSIONS IN MM [INCH]
- GENERAL TOLERANCE: X.X = ± 0.4  
X.XX = ± 0.25
- TERMINAL NOS. FOR REF. ONLY
- CONTACT PLATING: GOLD
- RATING: 2A @ 48VDC
- ILLUMINATION VOLTAGE: 24V
- CONTACT RESISTANCE: 50mΩ MAX. @ 1A 12VDC
- INSULATION RESISTANCE: 1,000MΩ @ 500VDC
- DIELECTRIC STRENGTH: 2,000VAC MIN. FOR 1 MINUTE
- ELECTRICAL LIFE: 50,000 CYCLES
- OPERATING TEMPERATURE: -20°C to 55°C
- INGRESS PROTECTION: IP65
- ▲ DENOTES CRITICAL PARAMETER
- HARDWARE SUPPLIED: O-RING AND HEXNUT



B	24427	drawing update	7/30/20	MW
A	21850	RELEASE FOR PRODUCTION	5/11/15	MW
REV	PCR NO	DESCRIPTION	DATE	BY

TITLE PV8F2U0SS-345				
SCALE 1:1	DATE 5/11/2015	DR MW	DWG 52-PV8F2U0SS345	REV B

THE INFORMATION CONTAINED IN THIS DOCUMENT IS PROPRIETARY TO E-SWITCH AND IS NOT TO BE COPIED OR TRANSFERRED